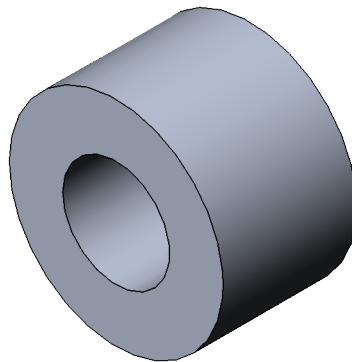
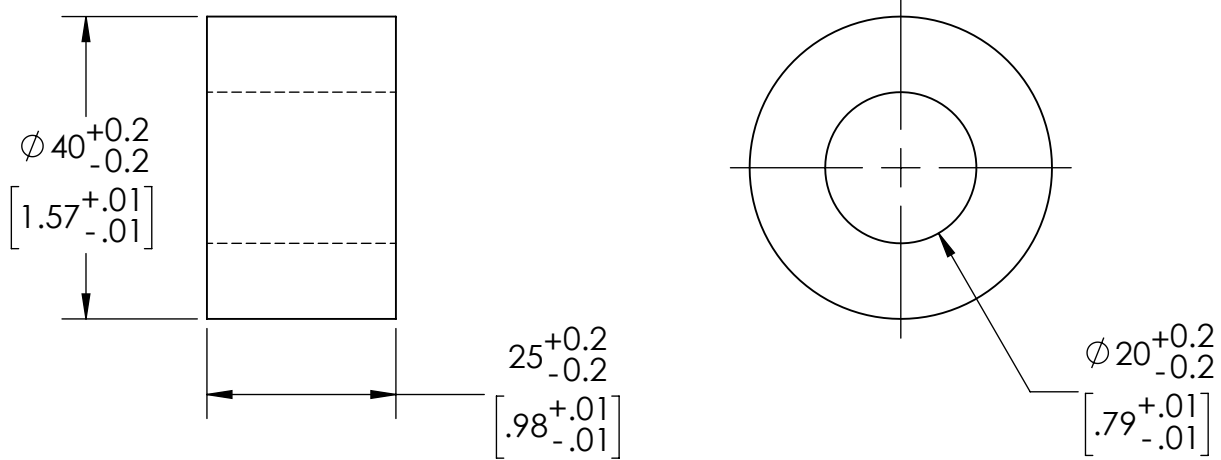


2

1



NOTE:

1. Tensile Strength 900 kgf/sm² (12995 psi) or more.

PROPRIETARY AND CONFIDENTIAL

THE INFORMATION CONTAINED IN THIS DRAWING IS THE SOLE PROPERTY OF ULTIMO. ANY REPRODUCTION IN PART OR AS A WHOLE WITHOUT THE WRITTEN PERMISSION OF ULTIMO IS PROHIBITED.

		DIMENSIONS ARE IN MM		NAME	DATE	ULTIMO Spacer for pipe size greater than 254 mm (10") and less or equal to 457 mm (18")		
		TOLERANCES:		DRAWN	SK			07/30/2018
		FRACTIONAL ±		CHECKED				
		ANGULAR: MACH ± BEND ±		ENG APPR.				
		TWO PLACE DECIMAL ±		MFG APPR.				
		THREE PLACE DECIMAL ±		Q.A.			SIZE DWG. NO. REV. A 100051 REV B B	
		MATERIAL		COMMENTS:				
		ALUMINUM						
NEXT ASSY	USED ON	FINISH				SCALE:2:1	WEIGHT: 0.06 kg (0.14 lbs)	
APPLICATION		DO NOT SCALE DRAWING				SHEET 1 OF 1		

2

1