

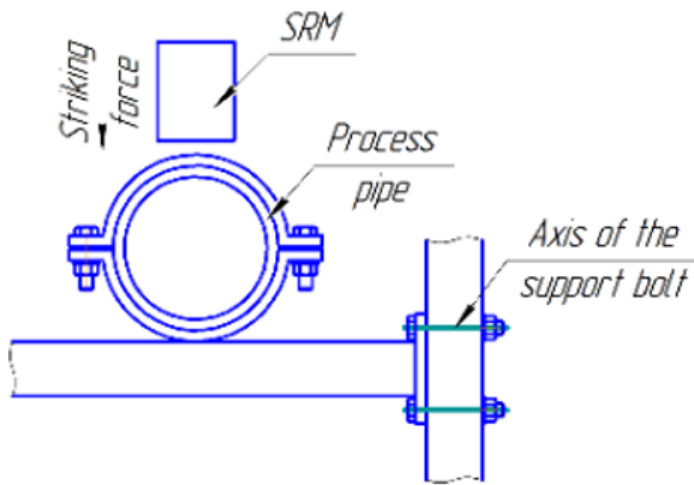


Ultimo Site Preparation Requirements

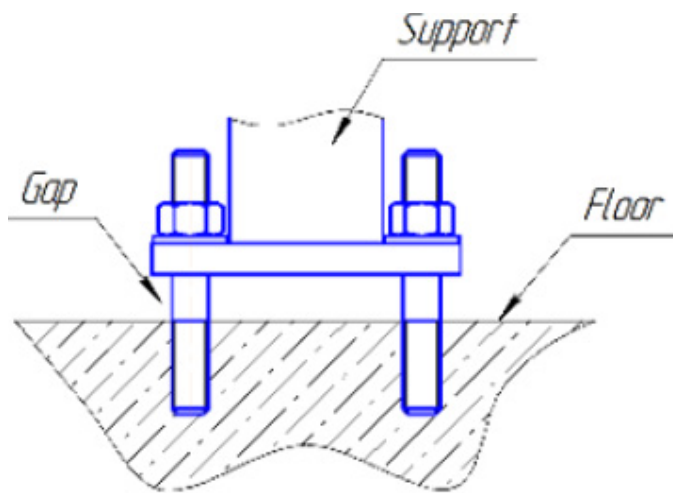
Appendix B

Examples of Improper Rigid Supports

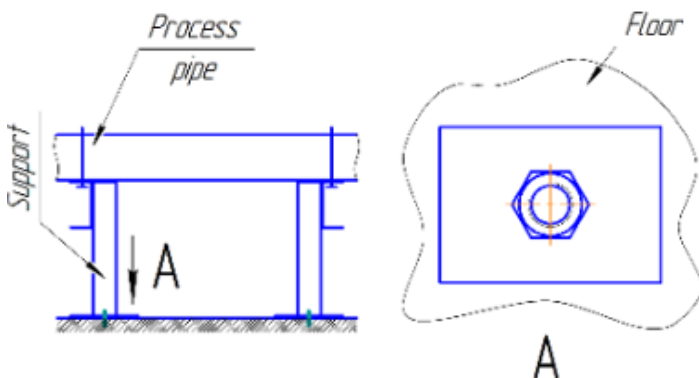
1. Striking force is perpendicular to the axis of the support bolt.



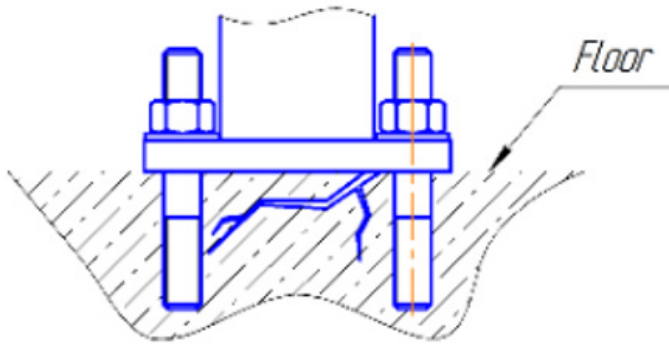
2. Support is not fastened securely to floor. The gap between the support and the floor.



3. Only one bolt for attaching the support to the floor instead of at least four.

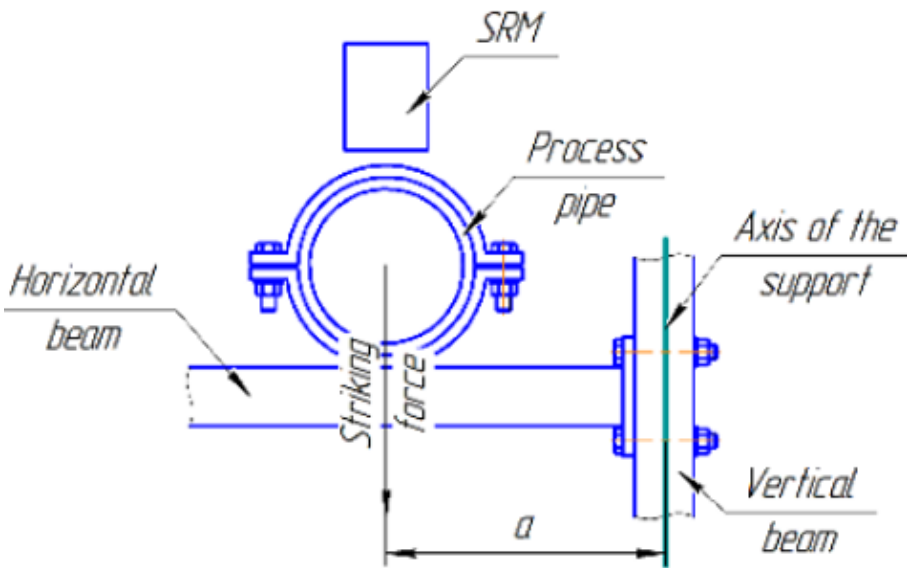


4. Not strong enough and hard floor.

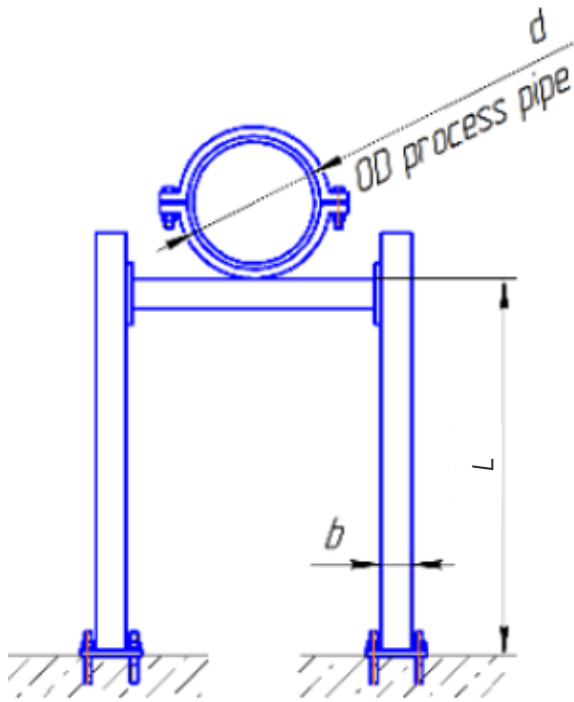


Unstable, weak, or cracked concrete floor is not acceptable for securing the Rigid Support

5. A very large distance (a) between the force and the axis of the vertical beam (this creates a greater bending moment for the horizontal beam).



6. Too tall (L) and very thin (b) supports.



7. There are no U-bolts or half-rings with bolts that reliably press the process pipe to the support. Pipe mounts are not buried in the ground.

